

Memo

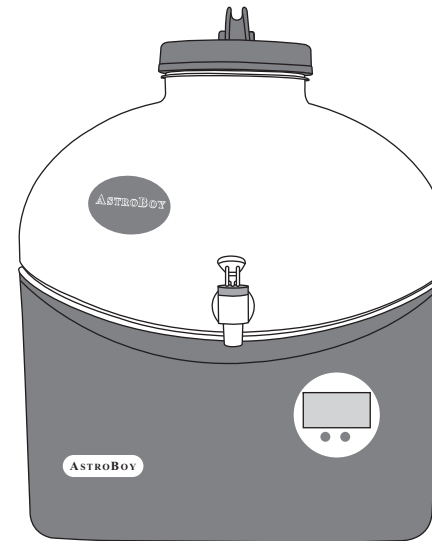
Type of product	ASTROBOY		
Date of purchase			
Name		Tel	
Address			

REVERSE OSMOSIS SYSTEM

ASTROBOY

USER'S MANUAL

- 01 Introduction of ASTROBOY
- 02 What is reverse osmosis
- 03 Components & Selections
- 04 Inline cartridge filters
- 05 The parts of ASTROBOY
- 07 Microprocessor control system
- 08 Tubing connection diagram
- 09 Installation diagram
- 10 Work with smart cap
- 11 Operation regulation
- 12 Change filters and membrane
- 13 FAQ
- 14 Maintenance checking list
- 15 Memo



Thank you very much for selecting Pure-Pro Water Corp.
In order to bring the best use of your system, please read the user's manual carefully before installation and follow the regulations.

FAQ

Q: Why is the testing result of my TDS higher than 40ppm?

We suggest you stop drinking water from the system if TDS testing result is higher than 40ppm. And change the RO membrane right away. Do remember to change filters regularly.

Q: Can the water tank be used for similar coolers?

Yes, this is a multi-function tank for which you can easily use for any similar coolers.

Q: How does the over-flow tube function?

It acts as a protector when the over-flow ball valve is malfunction.

Q: What should I do if the water productivity is shrinking?

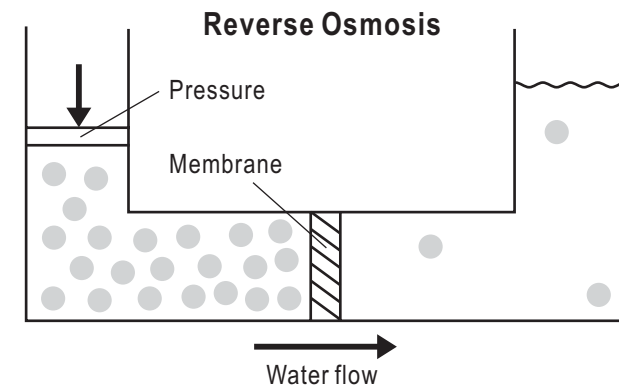
Please change the filters. If the problem remains the same, please contact a nearest distributor for solutions.

Q: What are the importance to change filters regularly?

1. To ensure the quality of drinking water
2. To make the best use and extend the life of systems.
3. Filters have an expired life of service and must be changed regularly.

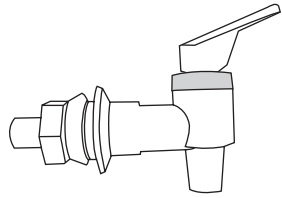
What is reverse osmosis

Reverse osmosis was originally designed to make sea water drinkable for the navy. It is ideal for anyone on a low sodium diet. An R.O. membrane has a pore size much smaller than bacteria virus, or the cryptosporidium parasite. When functioning properly it will remove all microorganisms from tap water and produce sterile water. Reverse osmosis is the reversal of the natural flow of osmosis. In a water purification system, the goal is not to dilute the salt solution, but to separate the pure water from the salt and other contaminants. When the natural osmotic flow is reversed, water from the salt solution is forced to pass through the membrane in the opposite direction by application of pressure-thus the term REVERSE OSMOSIS. Through this process, we are able to produce pure water by screening out the salts and other contaminants.

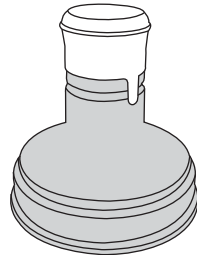


Components & Selections

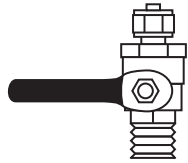
◆ Components



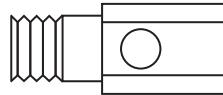
Faucet



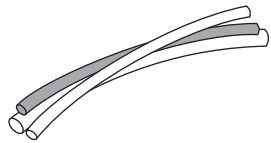
Smart cap



Deliver-valve

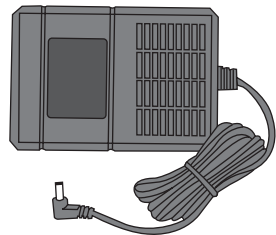


Water supply connector



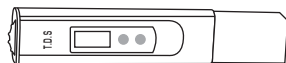
8mm over-flow tube white x 1
6mm feed water tube white x 1
6mm drain out tube orange x 1

Tubes



Transformer

◆ Selections



TDS meter

ASTROBOY Countertop Smart RO System

Change filters and membrane

1 Switch off water source and electricity.
To ASTROBOY

2 Turn off system power switch

3 Take out tube joint.

4 Remove water tank and holder.

5 Take out the 4 fixed screws. Then remove filters and connectors.

6 Coil the connectors with Teflon tape and connect to a new filter. Then connect to its tube.

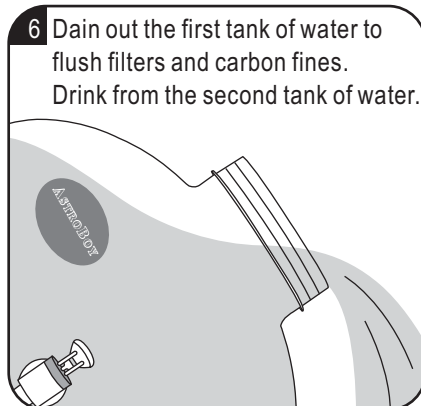
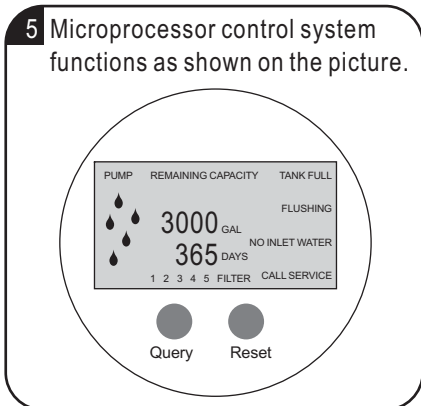
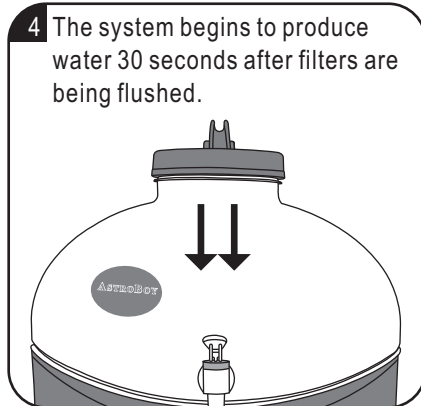
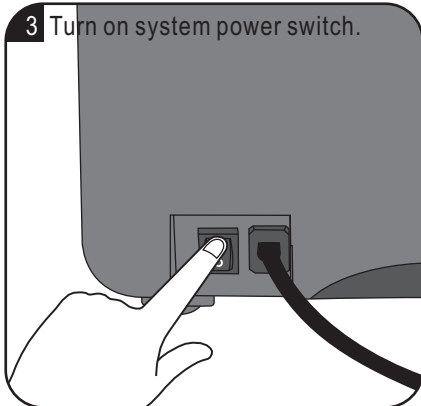
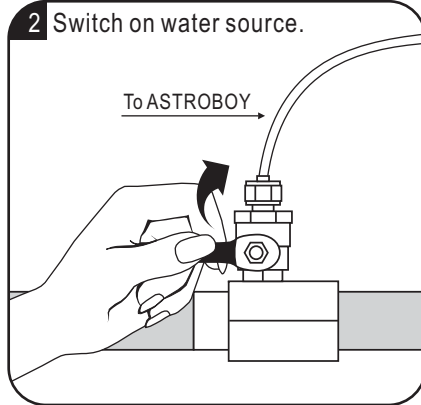
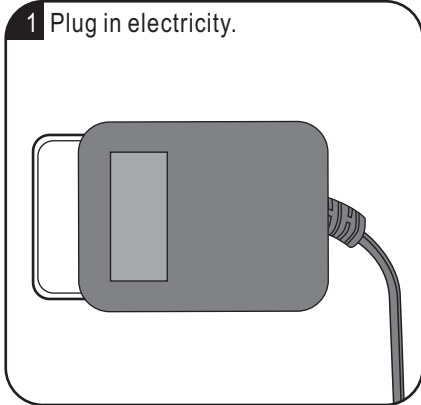
With Teflon tape

7 Put back the tube joint to the tank cap. switch on water source and electricity.

※ Check carefully to see if there is a leaking. If so, repeat the procedures described above.

ASTROBOY Countertop Smart RO System

Operation regulation



※ When under production of water, it's normal that the drain out tube comes with drain out water. Do not stuff the drain out tube to prevent the system from breaking down.

ASTROBOY Countertop Smart RO System

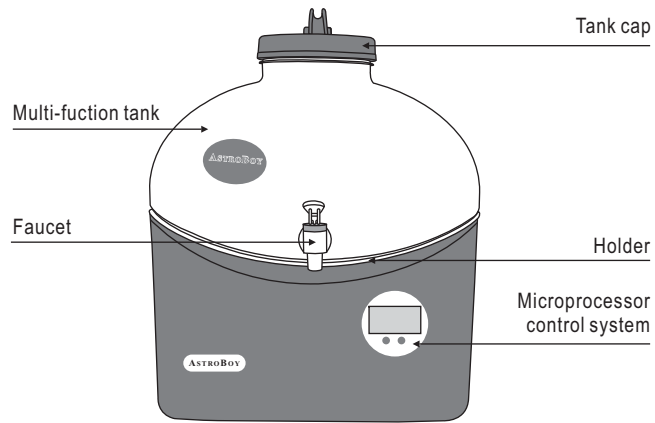
Inline cartridge filters

Cartridge Filters	Filter Description	Service life
<p>Stage 1 Inline 1 Micron Sediment Filter</p>	<p>This 1micron sediment filter is made by Dupont Anti-Bacteria. High capacity filter removes dusts, particles and rusts, 99.70% anti-bacterial, comply with FDA test standard. Use 100% pure PP fine fiber. Product series have been passed the test in accordance with the filtering effect test of ANSI-NSF standard 42 - particulate reduction class II-V of U.S.A. Service Life:1500GAL</p>	6 Months
<p>Stage 2 Inline Activated Carbon Filter</p>	<p>This granular activated carbon filter is composed of high-performance activated carbon that removes free chlorine, odor, organic contaminants, pesticides, and chemicals that contributed to taste and odor. Service Life:1500GAL</p>	6 Months
<p>Stage3 Inline Activated Carbon Filter</p>	<p>This granular activated carbon filter is composed of high-performance activated carbon that removes free chlorine, odor, organic contaminants, pesticides, and chemicals that contributed to taste and odor. Service Life:1500GAL</p>	6 Months
<p>Stage 4 Filmtec Membrane</p>	<p>Filmtec (Dow Chemical)membranes, maker of the world's most advanced reverse osmosis membranes. High rejection membrane with the capacity of producing 80 gallons per day. Eliminates up to 99.9% of most chemicals, dissolved solids, metals, bacteria, and viruses. Service Life:10000GAL</p>	4 Years
<p>Stage 5 Post Carbon Filter</p>	<p>This post carbon filter is designed to improve taste. It removes any residual impurities and odors and provides a finer conditioning of pure water. Service Life:3000GAL</p>	1 Year

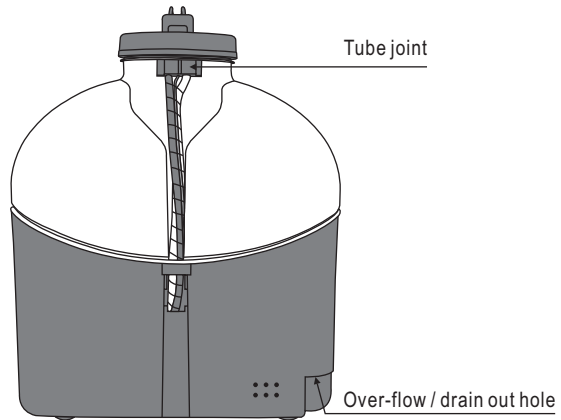
※ Service life varies with consumption and quality of water.

ASTROBOY Countertop Smart RO System

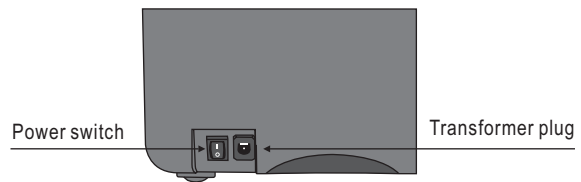
Each part of main body



The front



In the back

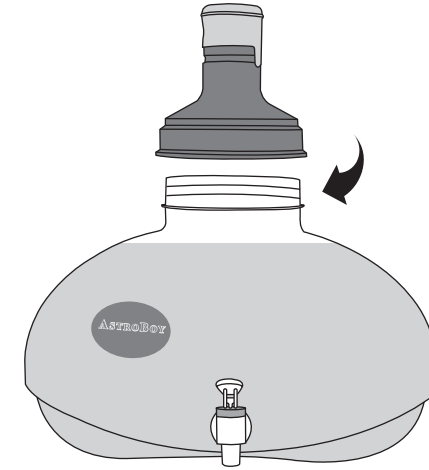


From the side

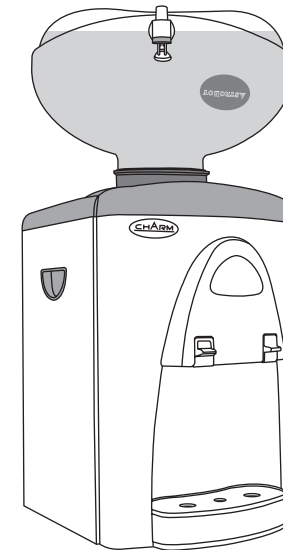
ASTROBOY Countertop Smart RO System

PUREPRO
DRINKING WATER SYSTEM

Work with smart cap



1. Fasten the smart cap clockwise together with water tank.



2. Take off the cover sticker from the smart cap. Turn the tank upside down and hook up with any counter top drink water systems / coolers.

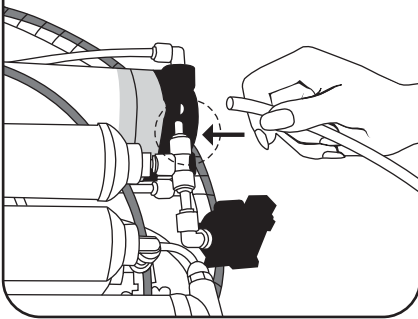
※ It's normal that a plastic stopper shall be floating after turning the water tank upside down.

ASTROBOY Countertop Smart RO System

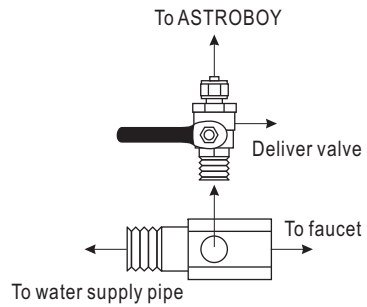
PUREPRO
DRINKING WATER SYSTEM

Installation diagram

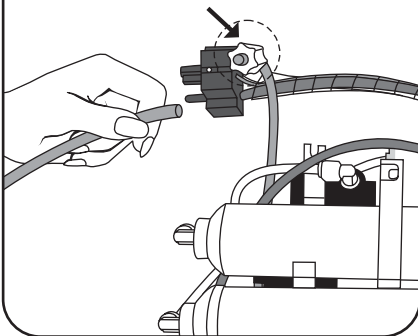
Connect 6mm feed water tube white



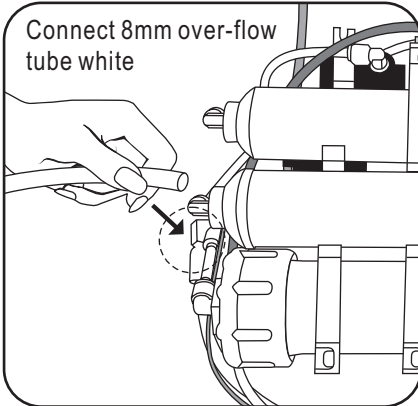
Input water



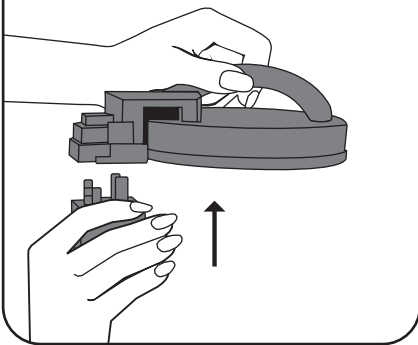
Connect 6mm drain out tube orange



Connect 8mm over-flow tube white



Connect tube joint

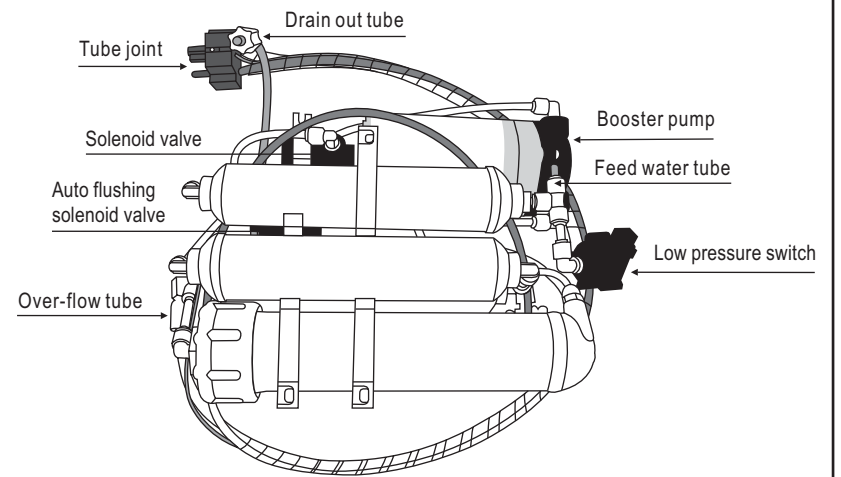


Tube joint is the combination of :

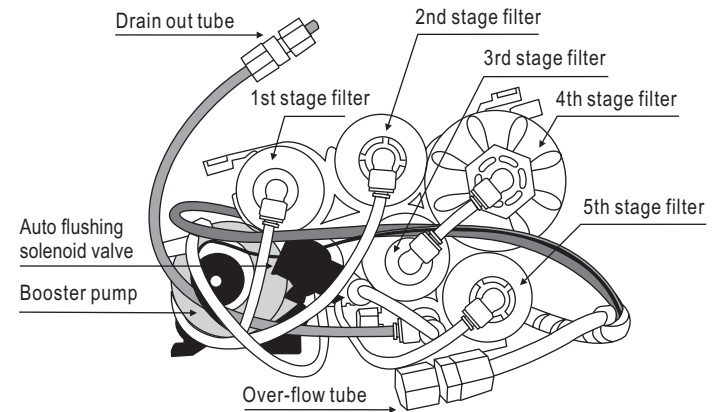
1. Pure water supply
2. Over flow protector
3. Auto shut-off switch

ASTROBOY Countertop Smart RO System

Each part of main body



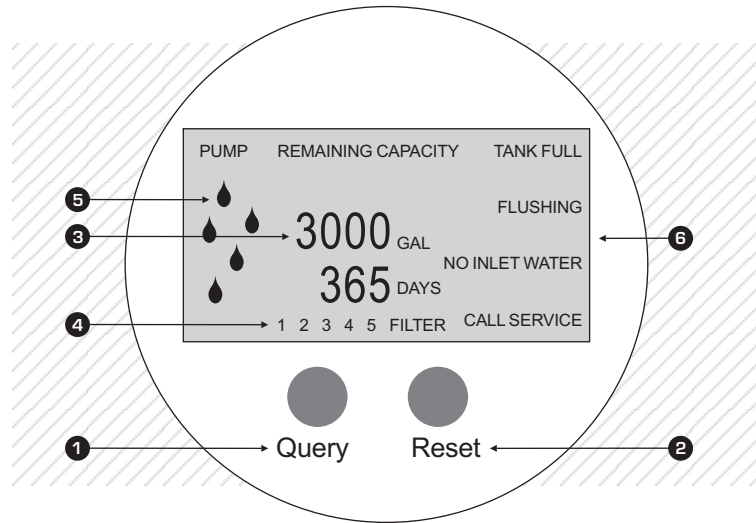
View from the top



View from the side

ASTROBOY Countertop Smart RO System

Microprocessor control system

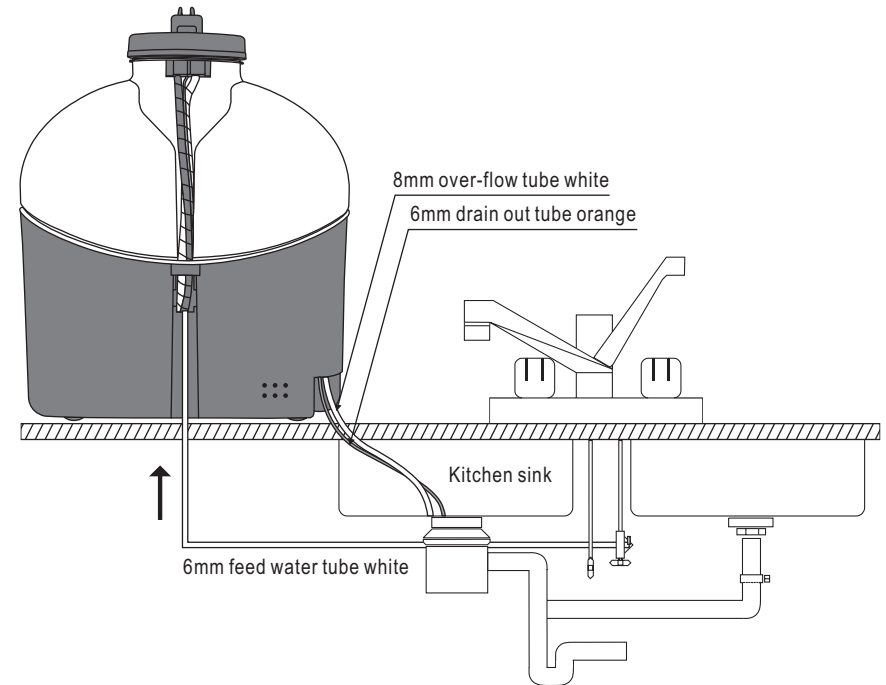


- 1 Check the remaining service life of each cartridge filter.
- 2 Reset this system after you have done the replacement.
- 3 Showing life of service for filters.
 Example : 1st 1500GAL→1499.....0
 2st 1500GAL→1499.....0
 3st 3000GAL→2999.....0
 4st 9999GAL→9998.....0
 5st 6000GAL→5999.....0
- 4 Flashing which filter needs to be replaced.
- 5 Showing the water drop when the system is making the water.
- 6 Showing different functions as follows :
 TANK FULL !
 FLUSHING : Automatic flushing membrane (per 8hrs).
 NO INLET WATER : No feed water!
 CALL SERVICE : Flashing when the filter needs to be replaced (filter expired).

ASTROBOY Countertop Smart RO System

PUREPRO
DRINKING WATER SYSTEM

Tubing connection diagram



※ Simply leave the drain out tube and over flow tube in the sink!

ASTROBOY Countertop Smart RO System

PUREPRO
DRINKING WATER SYSTEM